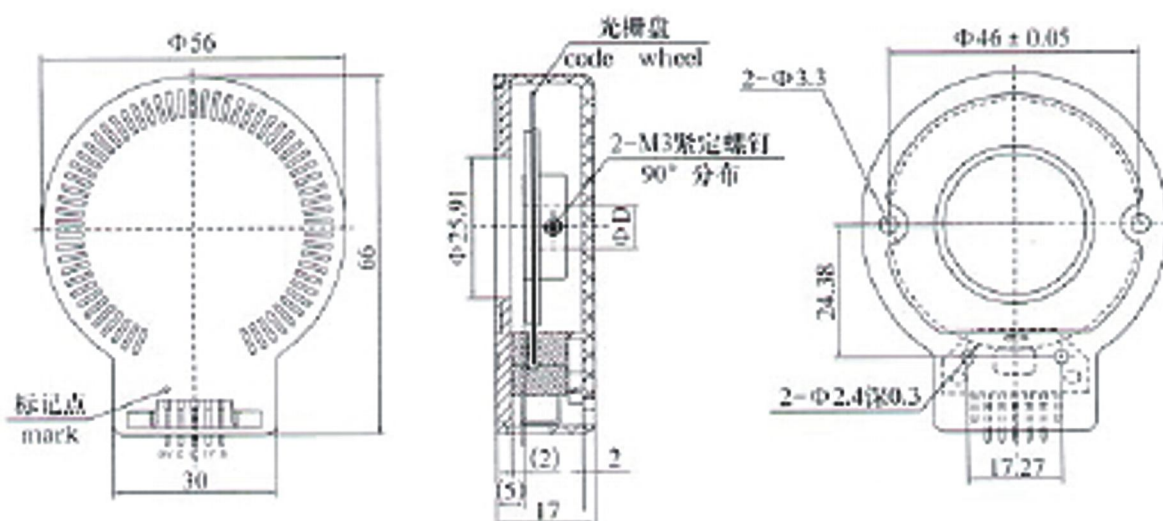
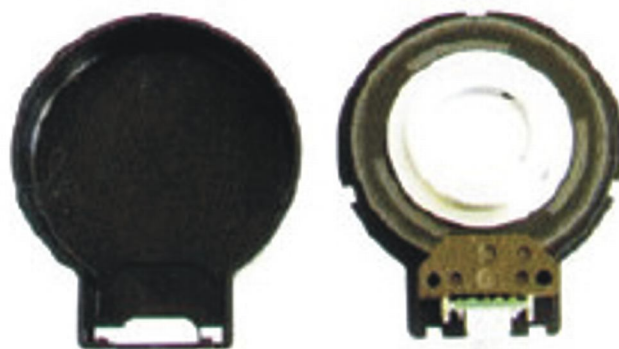




Rotary Encoder

Technical Parameter:

| Electric Parameter | |
|-----------------------|---|
| Output wave forms | Rectangle Wave |
| Output phase | Three-phase ABZ or two-phase AB |
| Current requirements | ≤40mA |
| Output current | 0-5mA(Single phase) |
| Frequency response | 0~100kHz |
| Symmetry | 0.5T +/- 0.1T |
| Phase shift | 90deg +/- 45deg |
| Supply voltage | DC 5V +/- 5% |
| Output voltage | VH ≥ 85%Vcc, VL ≤ 0.3V |
| Pulse | 1000,1024,2000,2048 |
| Circuit character | E—Voltage, L—Long-wire driver |
| Mechanical Parameter | |
| Station signal | 3 types |
| Shock resistance | 980m/s ² , 6ms, 2 times each in XYZ directions |
| Vibration resistance | 50m/s ² , 10~200Hz, 2hr each in XYZ directions |
| Inertia of raster | ≤0.6gcm ² |
| Working life | MTBF ≥ 50000h(+25℃, 2000rpm) |
| Optional axis | ≤20mm |
| Weight | 8g |
| Environment Parameter | |
| Operating humidity | 30~85% unfrost |
| Storage temperature | -40℃~100℃ |
| Operating temperature | -40℃~100℃ |
| Welding temperature | ≤260℃ |
| Safety | IP 50 |